

BALLOSTAR KHA-G

Threaded connection design



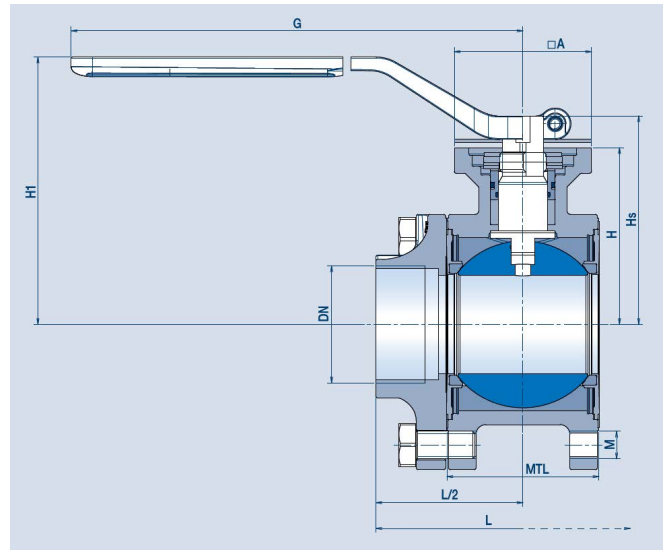
- Product details**
- » PN 16/25/40/63/100, ASME CL150/300
 - » DN 15-125 and 1/2"-5"
 - » Housing: Cast steel, rust and acid proof cast iron, duplex
 - » Ball: Special materials on demand
 - » Op. stem: Rust & acid proof steel

Connections Internal thread Rp in acc. with EN 10226-1 and NPT ANSI B 1.20.1

- General features**
- » 3-piece ball valve with full bore
 - » Floating ball, antistatic, lockable
 - » Double tightness in both directions
 - » Modular system components

Temperature -196 °C to +400 °C (see pT diagram)

- Certificates**
- » Leak-testing according ISO 5208 / ISO 14313:2007 – DBB
 - » FS EN ISO 10497 + API 607
 - » TA LUFT (VDI 2440)
 - » ISO 15848
 - » BAM Oxygen, GAS (ÖVGW, DVGW), SIL2

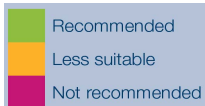


Dimensions Face-to-face dimensions in acc. with EN 16722-114

Industries

District Heating | Steel | Power | Geothermal Energy | Oil & Gas | Chemical Industry | Pulp & Paper | Energy | Food & Beverage | Pharma | Mining | Metals | Aerospace | Water

AREAS OF UTILIZATION



Stuffing boxes

	FS Atlas/Graphite/ Peek	LABP PTFE Labyrinth/ Peek	PTFE PURE PTFE/ Peek	GRA Graphite/Peek	GAS Gas O-rings & Graphite/Peek	VIT			
						Viton	Atlas	C70M	
Media	Water / hot water	Green	Green	Green	Green	Green	Green	Green	
	Mineral oil	Green	Green	Green	Green	Green	Green	Green	
	Heat-transfer oil	Green	Green	Green	Green	Green	Green	Green	
	Liquid gas / 1) cryogenic temperature	Orange	Green	Green	Green	Green	Green	Green	
	Saturated steam	Green	Green	Green	Green	Green	Green	Green	
	Misc. gases	Green	Green	Green	Green	Green	Green	Green	
	Vacuum / full vacuum	Green	Green	Green	Green	Green	Green	Green	
	Hot steam (max. 300 °C)	Orange	Green	Green	Green	Green	Green	Green	
	Ammonia	Green	Green	Green	Green	Green	Green	Green	
	Oxygen	Green	Green	Green	Green	Green	Green	Green	
Operating conditions	Standard utilization	Green	Green	Green	Green	Green	Green	Green	
	High number of cycles	Green	Green	Orange	Green	Green	Green	Green	
	Frequent temperature changes	Green	Green	Orange	Green	Green	Green	Green	
	Fire safety (Fire-Safe)	Green	Green	Green	Green	Green	Green	Green	
	Chemical industry	Green	Green	Green	Green	Green	Green	Green	
	Abrasive media	Green	Green	Orange	Green	Green	Green	Green	
Certifications	Temperature range (°C)	-20 +300	-196 +300	-196 +300	-85 +400	-15 +150	-15 +150	-20* +250	-35* +125
	VDI 2440 (TA-Luft)	+	+	+			+		
	ISO 15848-1	+							
	DVGW/ÖVGW					+			
	Fire-Safe	+				+			

Sealing elements

	FF Standard KFC Fire-Safe	PP PTFE	MM Metal	SS Metal special	W Viton	KK Standard KFC	GG Gas KFC Fire-Safe	
Water / hot water	Green	Green	Orange	Orange	Green	Green	Green	
Mineral oil	Green	Green	Orange	Orange	Green	Green	Green	
Heat-transfer oil	Green	Green	Orange	Orange	Green	Green	Green	
Liquid gas / 1) cryogenic temperature	Green	Green	Orange	Orange	Green	Green	Green	
Saturated steam	Green	Green	Orange	Orange	Green	Green	Green	
Misc. gases	Green	Green	Orange	Orange	Green	Green	Green	
Vacuum / full vacuum	Green	Green	Orange	Orange	Green	Green	Green	
Hot steam (max. 300 °C)	Green	Green	Orange	Orange	Green	Green	Green	
Ammonia	Green	Green	Orange	Orange	Green	Green	Green	
Oxygen	Green	Green	Orange	Orange	Green	Green	Green	
Standard utilization	Green	Green	Orange	Orange	Green	Green	Green	
High number of cycles	Green	Green	Orange	Orange	Green	Green	Green	
Frequent temperature changes	Green	Green	Orange	Orange	Green	Green	Green	
Fire safety (Fire-Safe)	Green	Green	Orange	Orange	Green	Green	Green	
Chemical industry	Green	Green	Orange	Orange	Green	Green	Green	
Abrasive media	Green	Green	Orange	Orange	Green	Green	Green	
Certifications	Temperature range (°C)	-60/+300	-196/+200	-60/+300	-60/+400	-15/+150	-60/+300	-60/+300
	VDI 2440 (TA-Luft)	+					+	+
	ISO 15848-1	+						+
	DVGW/ÖVGW							(+)
	Fire-Safe	+						+

1) Combined with cryogenic temperature extension and sealing element
 * O-rings for less temperature optionally available.

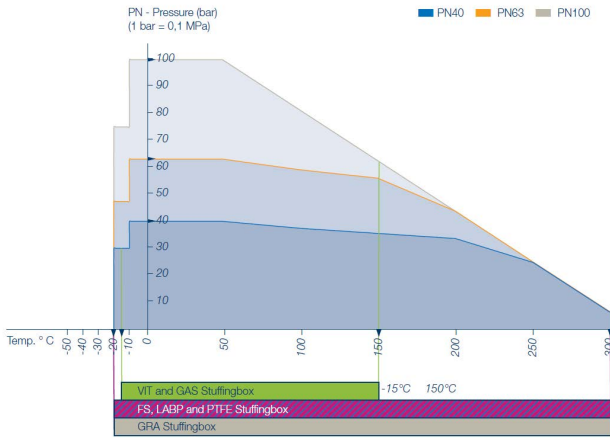
BALLOSTAR KHA-G

Pressure and temperature ranges / Technical data

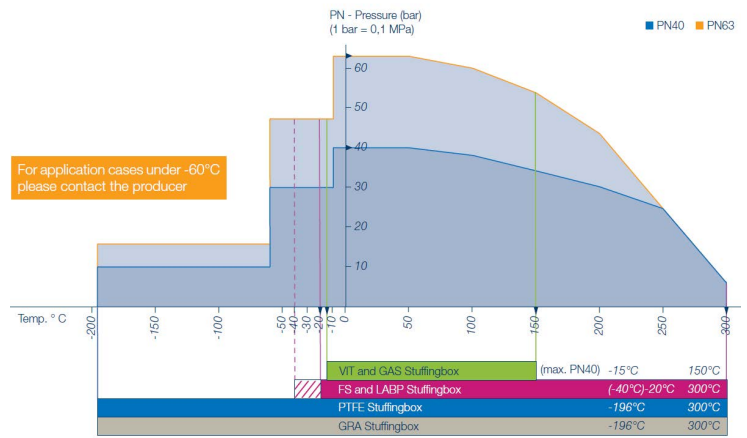


P-T diagram – for the sealing elements FF, KK, GG and MM

Carbon steel



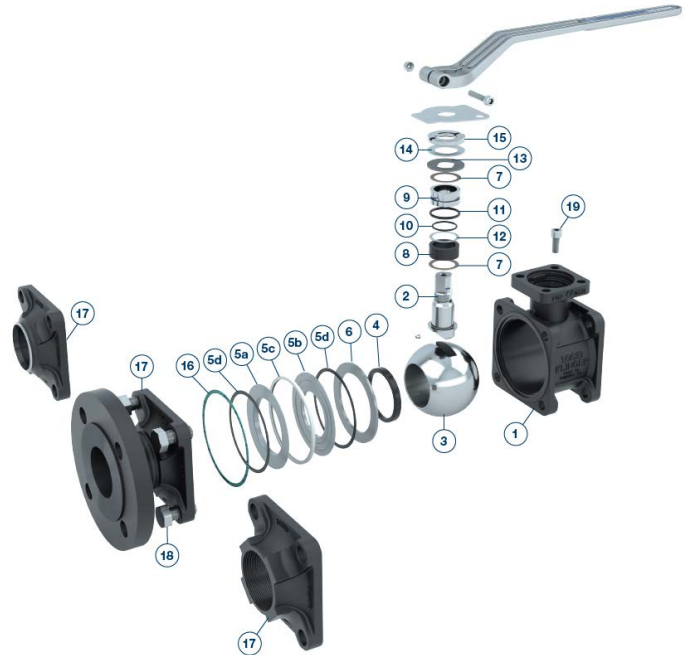
Stainless steel



For more P-T diagrams concerning different sealing materials and ASME please see the KLINGER Ballostar KHA brochure 2023

Parts list

Pos.	Qu.	Name	M1 (VIII)	M2 (Xc)	M3 (Xd)
1	1	Housing	1.0619	1.4408	1.4470
2	1	Operating shaft	1.4104	1.4404	1.4462
3	1	Ball		V4A	1.4462 / 1.4470
4	2	Sealing ring		KFC-25	
5	2	a) support disc	1.4401		1.4462
		b) cover disc	1.4401		
		c) U-sleeve		PTFE	
		d) U-sleeve		Grafit	
6	2	Support ring	1.4401		-
7	2	Bearing disc		Peek	
8	1	Sealing bush		Graphite	
9	1	Sealing insert		1.4401	
10	1	O-Ring		FEPM A75H	
11	1	O-Ring			
12	1	Washer		1.4401	
13	1	Washer		1.4401	
14	1	Belleville washer		1.4310	
15	1	Gland nut		1.4404	
16	2	Gasket		KLINGERSIL C-4430	
17	2	Flange cap	1.0619 / P235GH	1.4408 / 1.4470	1.4462 / 1.4470
	2	Welding ends			
	2	Threaded connection	1.0619	1.4408	1.4462
18	8/12/16	Hexagon nut		A4-70	
19	1	Socket screw		A4-70	



Technical data - M1 (VIII) = Carbon steel, M2 (Xc) = Stainless steel, M3 (d) = Duplex

DN	Dimensions								Pressure level		Head flange size acc. to ISO 5211	Weight [kg]
	MTL	□A	H	Hs	H1	G	M	L	M1 (VIII)	M1 (Xc)		
1/2"	26.4	42	35.0	43.5	83.0	130	M6	85	100	63	F04	0.90
3/4"	35.2	42	46.5	57.0	96.0	160	M8	95	100	63	F04	1.45
1"	41.5	42	50.0	60.5	100.0	160	M8	105	63	40	F04	1.80
1-1/4"	49.5	50	65.0	77.7	107.5	252	M10	120	63	40	F05	3.15
1-1/2"	63.0	50	72.5	85.2	114.7	252	M12	130	63	40	F05	4.75
2"	77.5	70	90.0	106.2	136.2	310	M14	150	40	40	F07	7.55